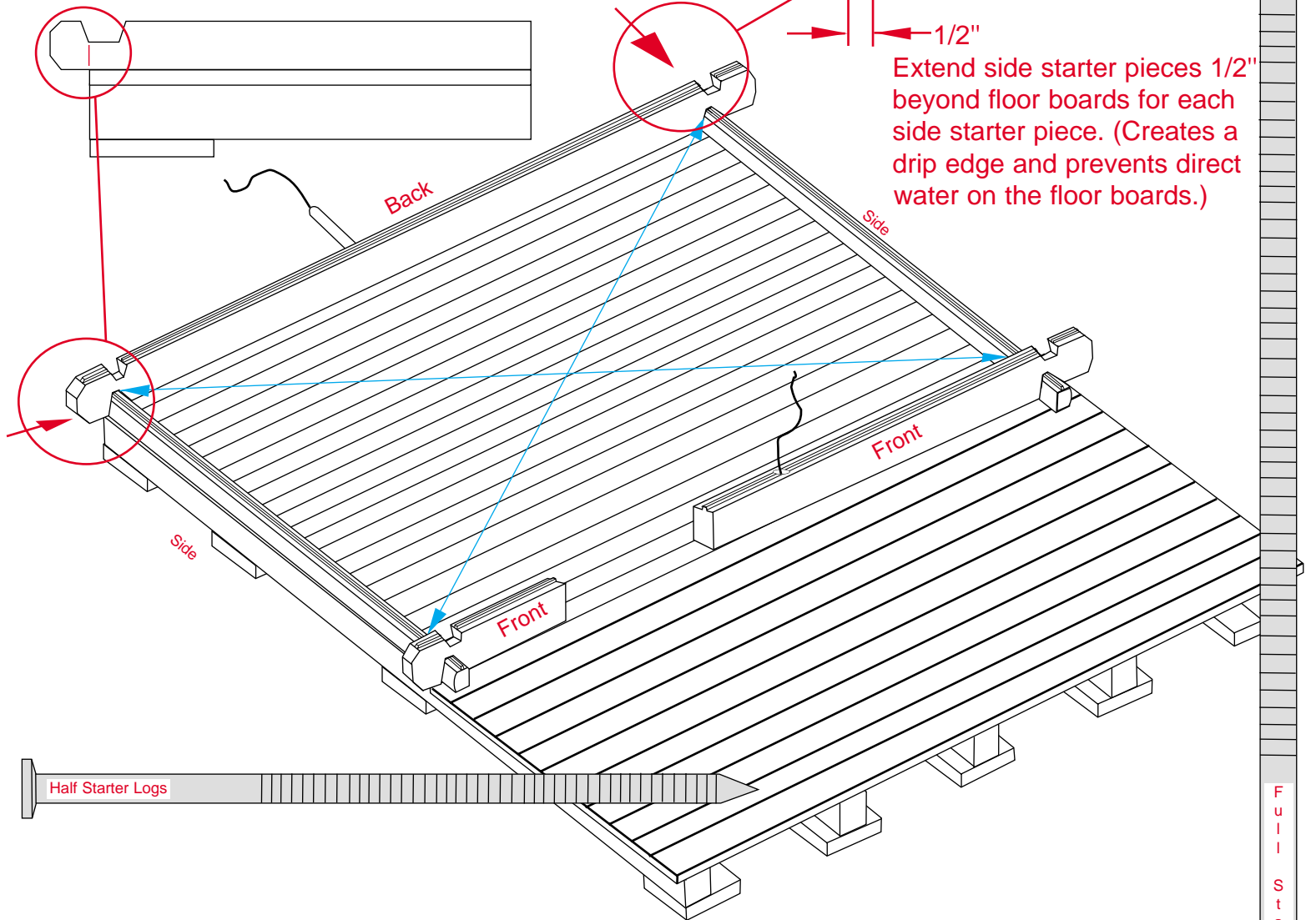


**9****Locate starter pieces and fasten side starter pieces to skids.**

- (a) Locate starter pieces as shown below.
- (b) Makes sure starter pieces are square before spiking.
- (c) Using the nails provided, spike down both side starter pieces using the pre-drilled holes.

**10****Fasten front and back starter pieces.**

- (a) Drill pilot holes to align with skids whenever possible. When skid locations prevent direct nailing into skids, space pilot holes one foot from notches and ends and every 42" in between.
- (b) Measure the corner to corner distance and confirm the ends of the front starter pieces are the same distance. This establishes square front walls.
- (c) Spike down all front and back starter pieces using supplied nails.

