

- 2** (a) Place the supplied 4" x 6" pressure treated skid joists onto the foundation as shown in the supplied plans. Cinder block foundation is shown, pier foundation uses the same skid locations. If using piers, nail as shown in **Figure "3"**.
- (b) Nail 2" x 6" face boards to ends of skids.
- (c) Square skid system until diagonal dimensions match.

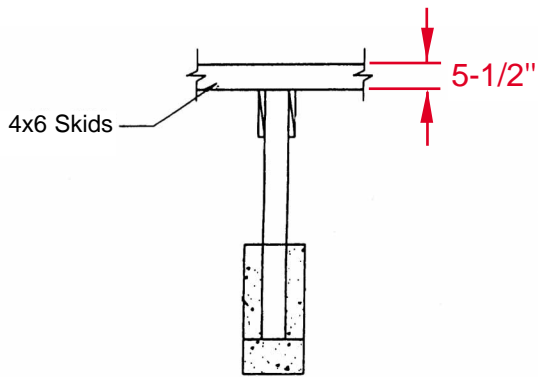
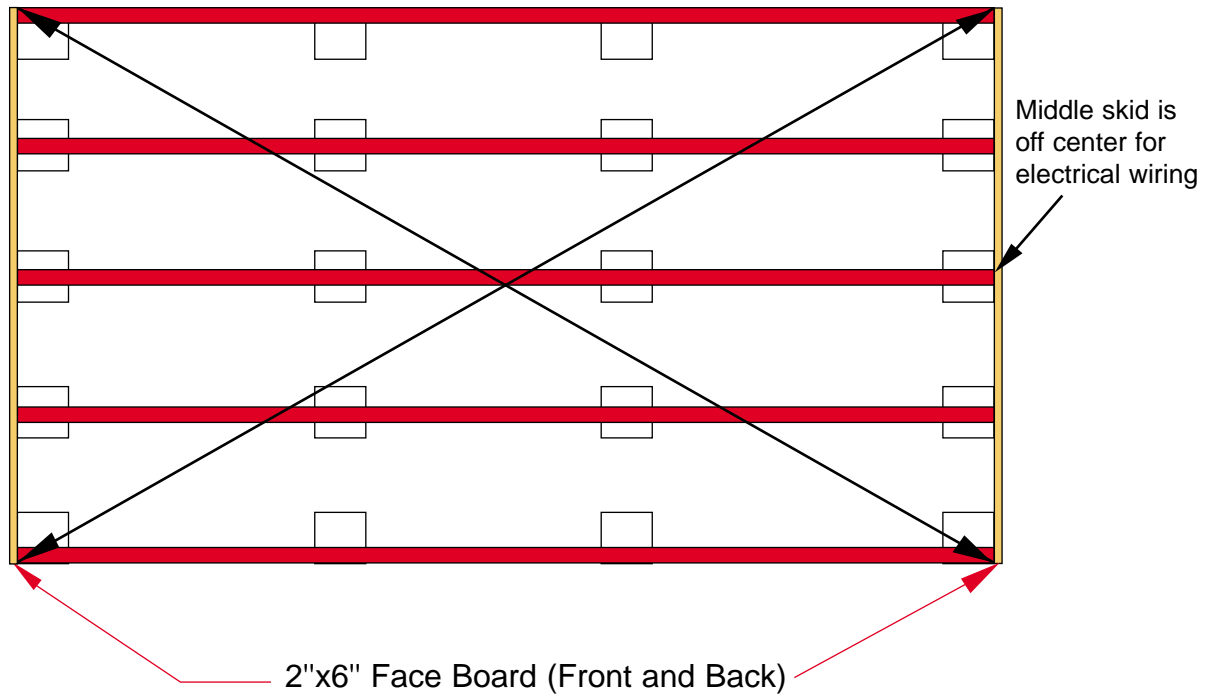


Figure "3"

4"x6" skids toe screwed to 2"x12" with 2-1/2" screws. For additional wind loads, tie down straps can be used.

