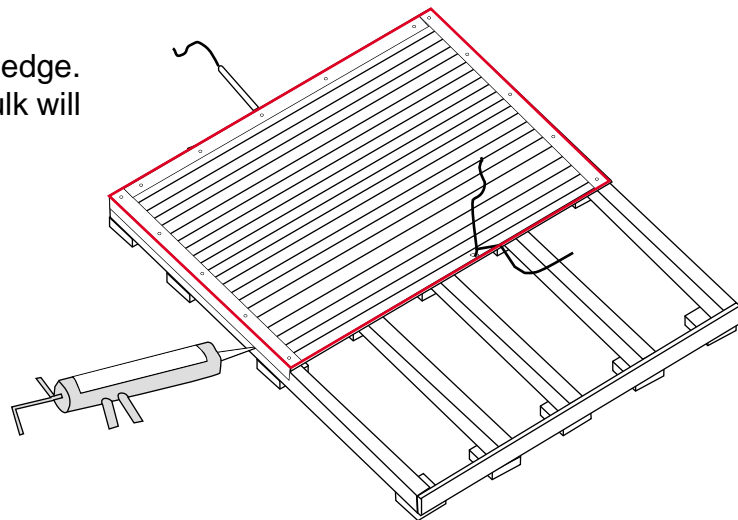


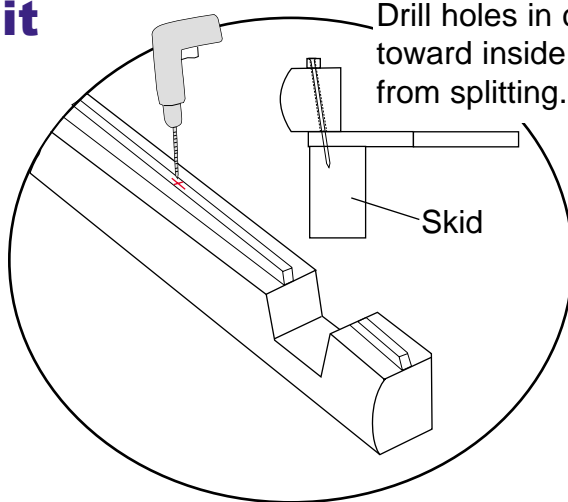
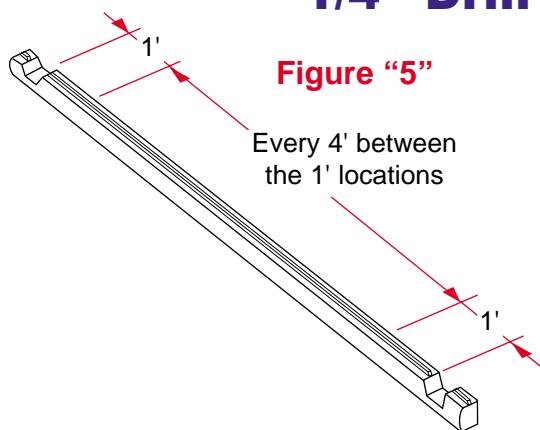
- 6** **Place caulk.**
Place a bead of caulk around outside edge of drip edge. This is where the starter logs will be installed. The caulk will prevent moisture from entering the cabin.



- 7** **Pre-drill side starter pieces.**
(a) Drill holes through side starter pieces at the locations shown in Figure "5".

1/4" Drill Bit

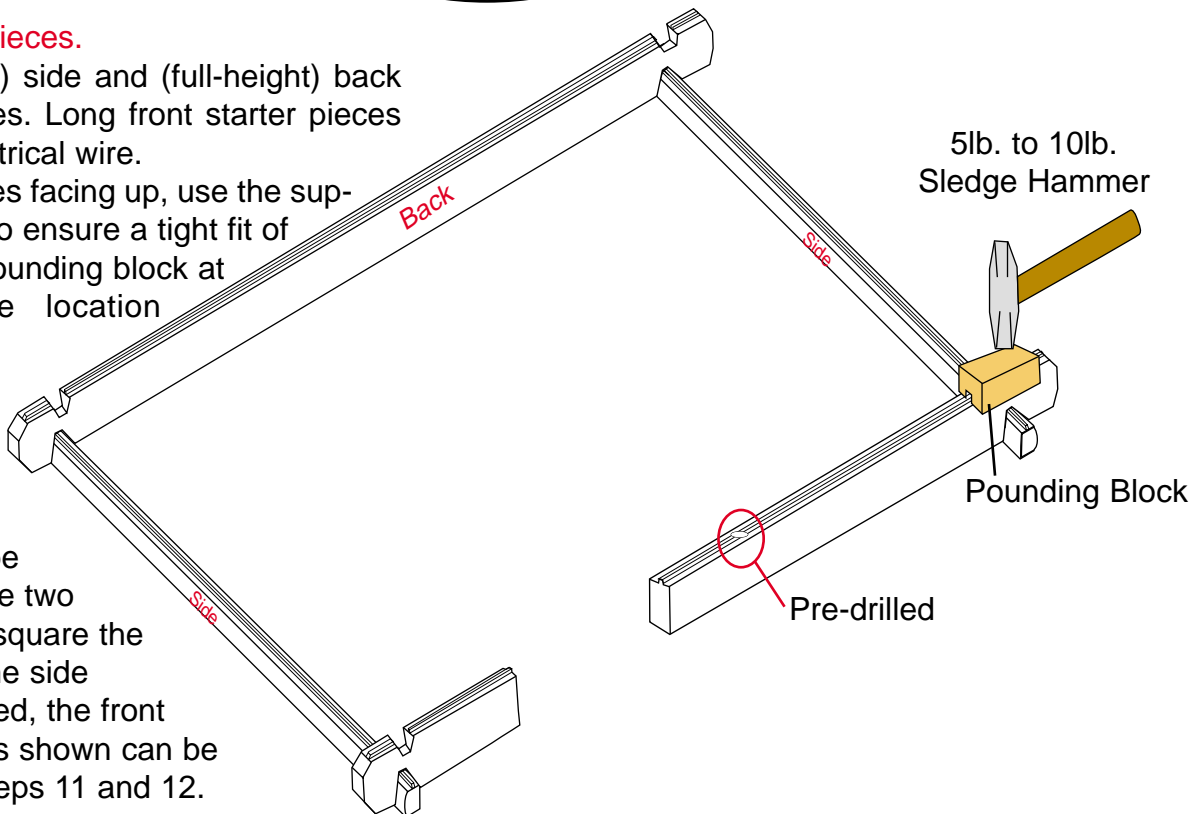
Figure "5"



Side Starter Pieces

Drill holes in center of tongue and angle toward inside of cabin to prevent the skid from splitting.

- 8** **Interlock wall starter pieces.**
(a) Select (half-height) side and (full-height) back and front starter pieces. Long front starter pieces are pre-drilled for electrical wire.
(b) With the log tongues facing up, use the supplied pounding block to ensure a tight fit of the pieces. Use the pounding block at each corner in the location shown.



Note:

A standard length log like the back log can be used in place of the the two front starter pieces to square the starter pieces. Once the side starter pieces are spiked, the front and back starter pieces shown can be installed. Reference steps 11 and 12.