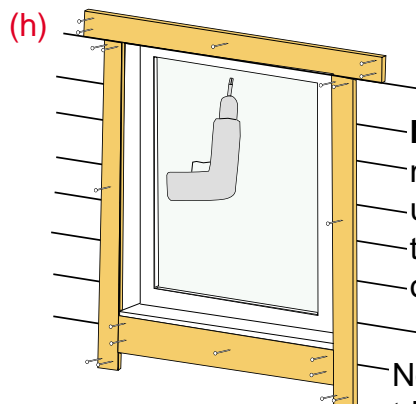
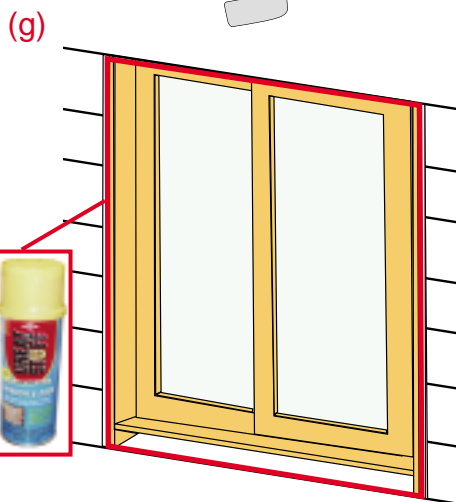
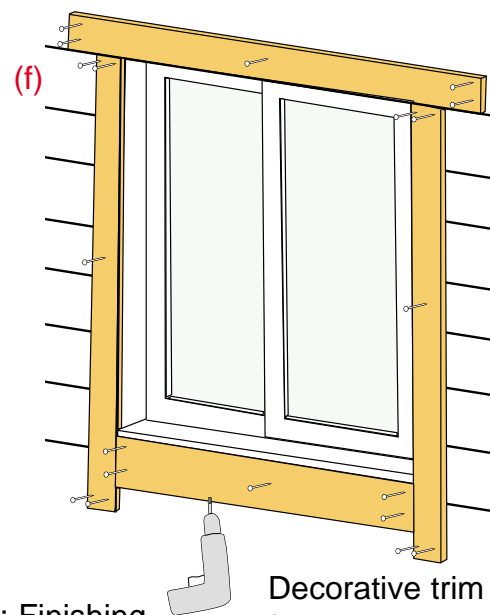
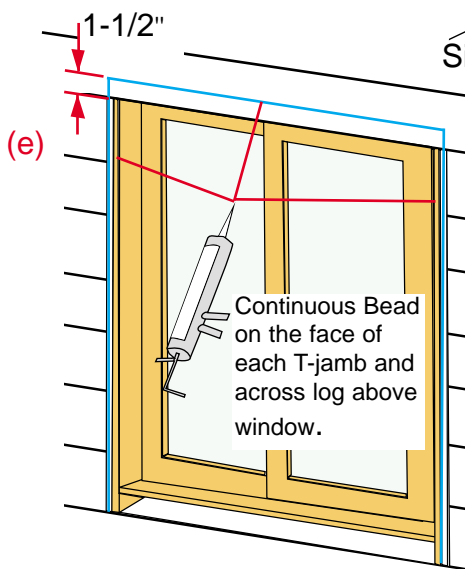
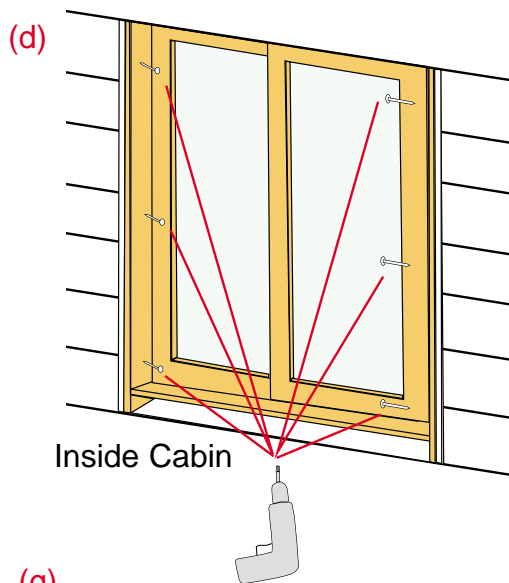
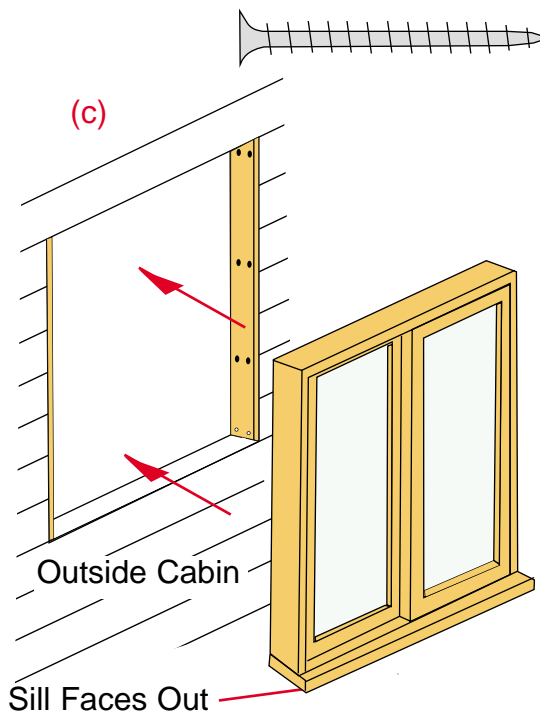
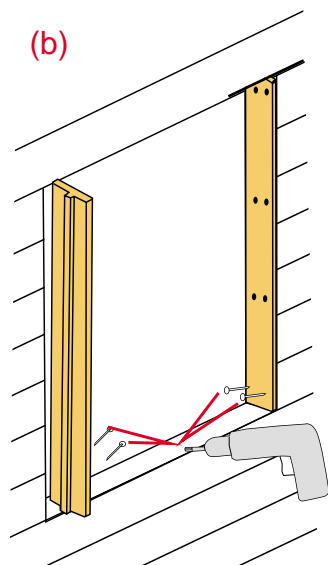
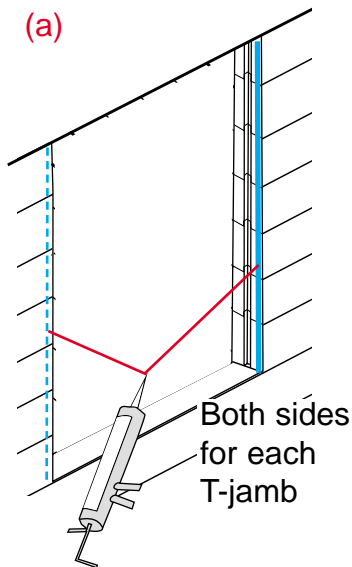


**18** Install windows (without nailing flange).

- (a) Place caulk on outside edge of log wall opening. This will seal the opening when T-jamb are installed.
- (b) Place T-jamb into groove in end of logs. Place 6-8 screws into each T-jamb as shown. Insure good contact with caulk.
- (c) Place window casing into position and shim.
- (d) Fasten window casing to T-jamb from the interior of the cabin.
- (e) Place caulk on exterior of T-jamb and across header log to seal window trim when installed.
- (f) Screw exterior trim pieces as shown insuring good contact with caulk.
- (g) Fill all voids (inside of cabin) between window and opening with foam insulation.
- (h) Install interior trim.

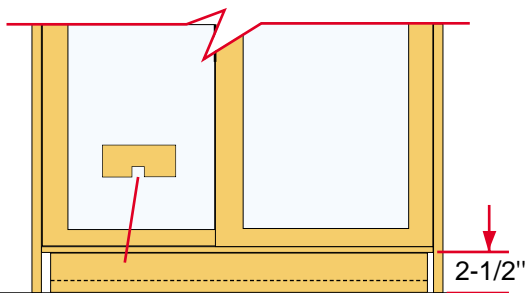
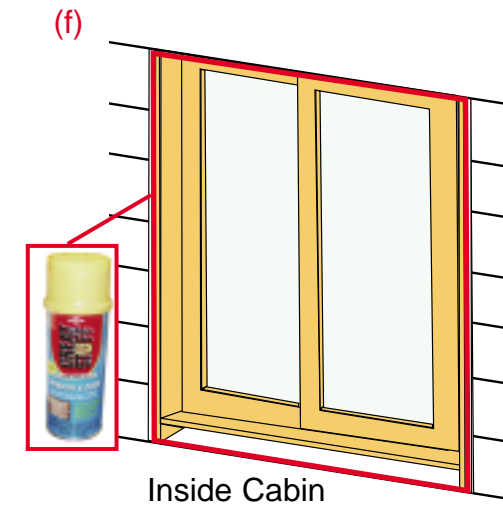
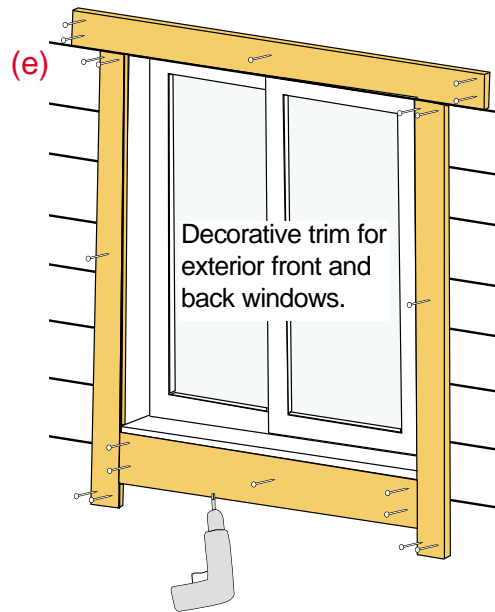
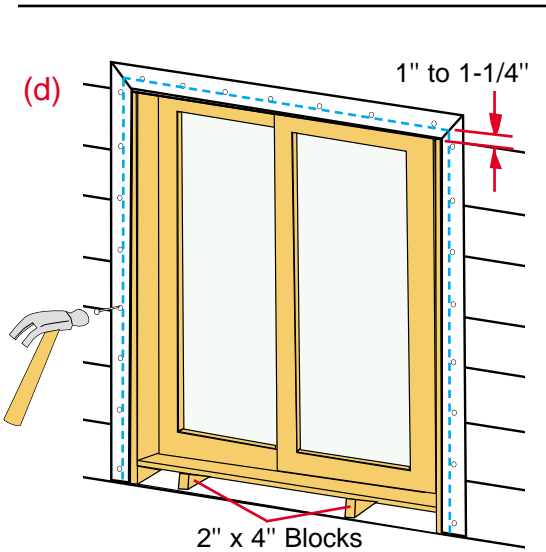
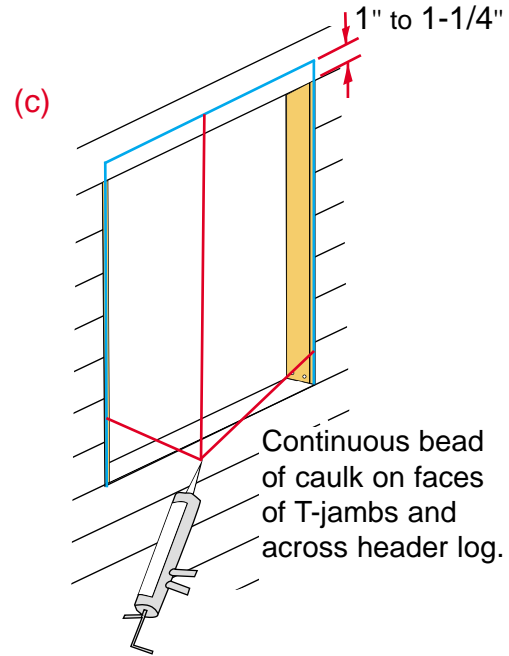
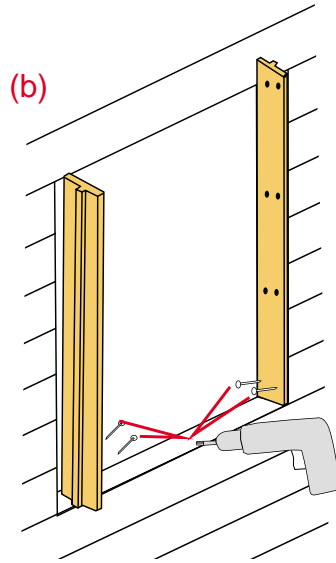
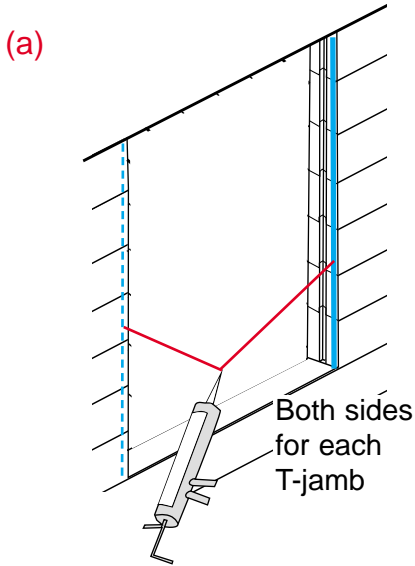


**Note:** Finishing nails can be used to attach trim (nails by others)

**Note:** Side window interior and exterior trim is smaller than the interior window trim for the front and back window.

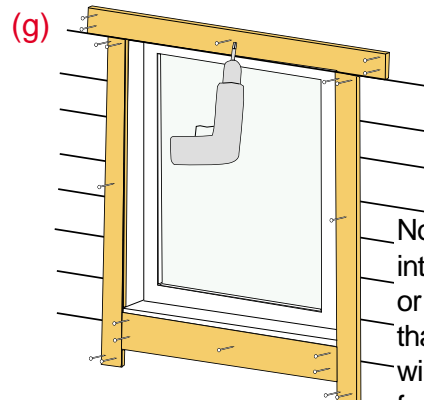
**Install windows (with nailing flange).**

- (a) Place caulk on outside edge of log wall opening. This will seal the opening when T-jambs are installed.
- (b) Place T-jambs into grooves in end of logs. Place 6-8 screws into each T-jamb as shown. Insure good contact with caulk.
- (c) Place caulk on exterior of T-jambs and between 1" to 1-1/4" above bottom edge of header log to seal behind window nailing flange.
- (d) Place window casing into position by raising window until top nailing flange covers caulk on header log. Use 2" x 4" blocks as needed to support window at bottom. Fasten window nailing flange to jambs and top header log with galvanized roofing nails. Insure good contact with caulk.
- (e) Screw exterior trim pieces as shown insuring good contact with caulk.
- (f) Fill all voids (inside of cabin) between window and opening with foam insulation.
- (g) Install interior trim.



**Note:** If gap below window is in excess of 2-1/2", use scrap from bottom of starter log to fill void before window installation. Be sure to caulk and use insulation strip to seal out air and water.

**Note:** Finishing nails can be used to attach trim (nails by others)



**Note:** Side window interior and exterior trim is smaller than the interior window trim for the front and back window.